

# CABERNET SAUVIGNON TOSCANA I.G.T.

ml 750  
(GEMMA6)


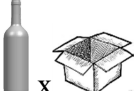
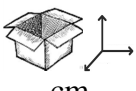






UVE  
GRAPES Cabernet Sauvignon  
REBSORTE 100%

ZONA DI PRODUZIONE Toscana  
PRODUCTION AREA Tuscany  
ANBAUGEBIET Tuscan

CONTENUTO ALCOLICO  
ALCOHOL 13,50% vol.  
ALKOHOLGEHALT

SERVIRE A  
WINE-SERVING TEMPERATURE 18° C.  
SERVIERTEMPERATUR



 ml 750	 x 6	 cm 25,5x17,5x31,5 h	 8006366002261
 kg x Peso Lordo Gross Weight Bruttogewicht 8,80	 Peso Netto Net Weight Nettogewicht 4,50	 n° 100 (5X20)	 kg 880  cm 120x80x170 h

MONTEVERDI VINI SRL  
VIA A. MORO, 19  
26851 BORGO SAN GIOVANNI (LO)  
ITALIA  
www.monteverdivini.it  
e-mail: info@monteverdivini.it